



**Conecta**

***SALICE***

UNITED  
STATES  
•  
CANADA



## Conecta • Concealed hinge



A perfect synthesis of compactness and adaptability.

**Conecta** is the totally innovative Salice hinge that mounts recessed completely in the side panel.

Its technical features allow any wood or aluminum doors, even tall and heavy ones, to open and close smoothly.

The **Conecta** hinge, with its 94° opening, is fully adjustable in three directions by cam adjusters and is also available with an integrated soft close mechanism for decelerated closing.

Thanks to its aesthetics, elegance and functionality, **Conecta** is suitable for different applications. It is available in nickel-plated or titanium finishes and can come with customizable cover caps for both the cabinet door and side.



**Conecta • Hinge for wood doors**

**Concealed CQA3JE hinge with recessed insertion in the side panel.**

**Door overlay 12,5 mm (1/2") using holder-sleeve DQG3B**

Side adjustment -1 +2 mm  
 Height adjustment -2,5 +2,5 mm  
 Depth adjustment 0 +3 mm



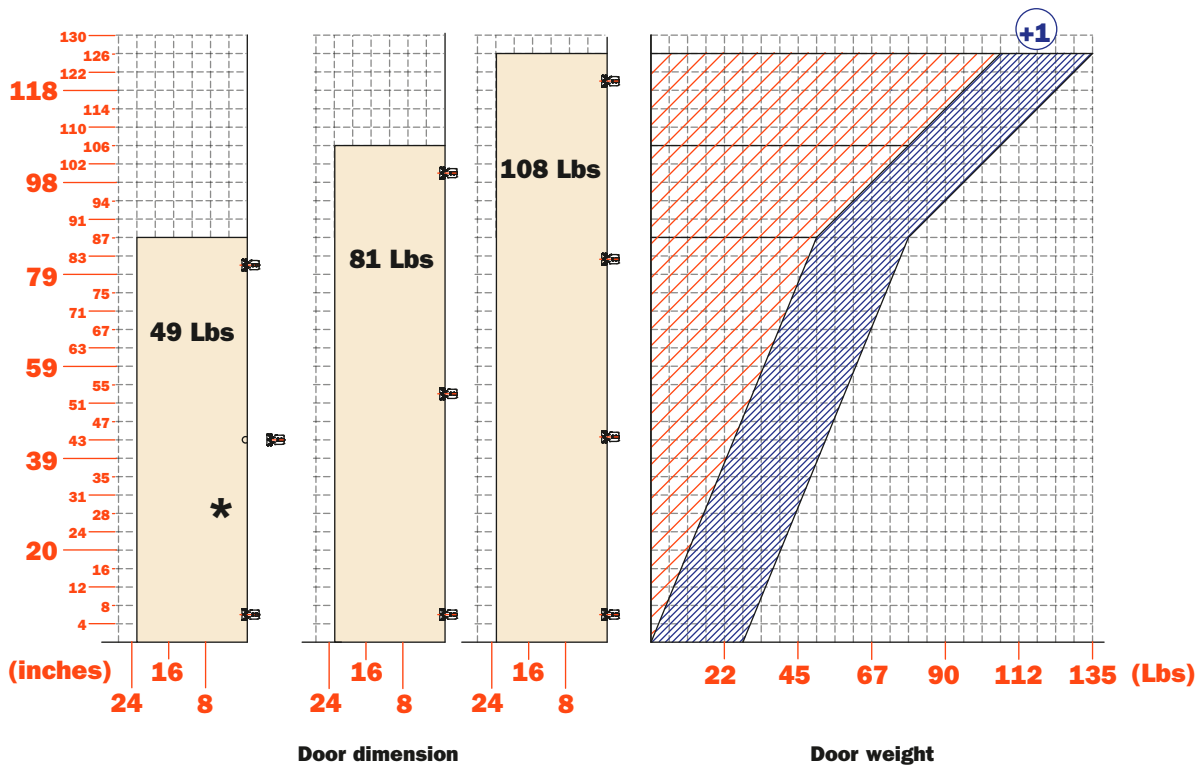
**Concealed CQA3KE hinge with recessed insertion in the side panel**

**Door overlay 16,5 mm (5/8") using holder-sleeve DQG3B**

Side adjustment -1 +2 mm  
 Height adjustment -2,5 +2,5 mm  
 Depth adjustment 0 +3 mm



**Approx. number of hinges required according to the door dimension and weight**



\* Adding one hinge in the center of the door increases its stability



# Conecta • Hinge for aluminum-framed doors

## Concealed CQZ3JE hinge with recessed insertion in the side panel.

Door overlay 12,5 mm (1/2") using holder-sleeve DQG3B

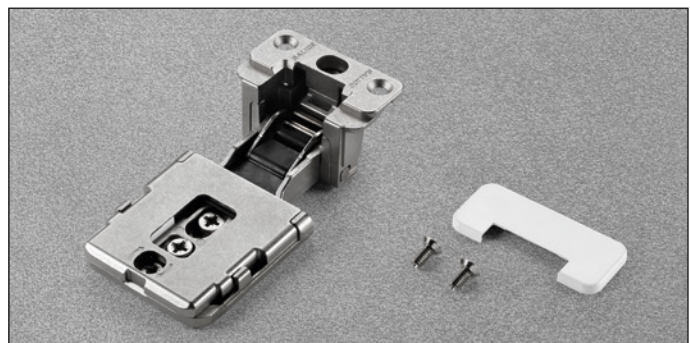
Side adjustment -2 +0,5 mm  
 Height adjustment -2,5 +2,5 mm  
 Depth adjustment 0 +3 mm



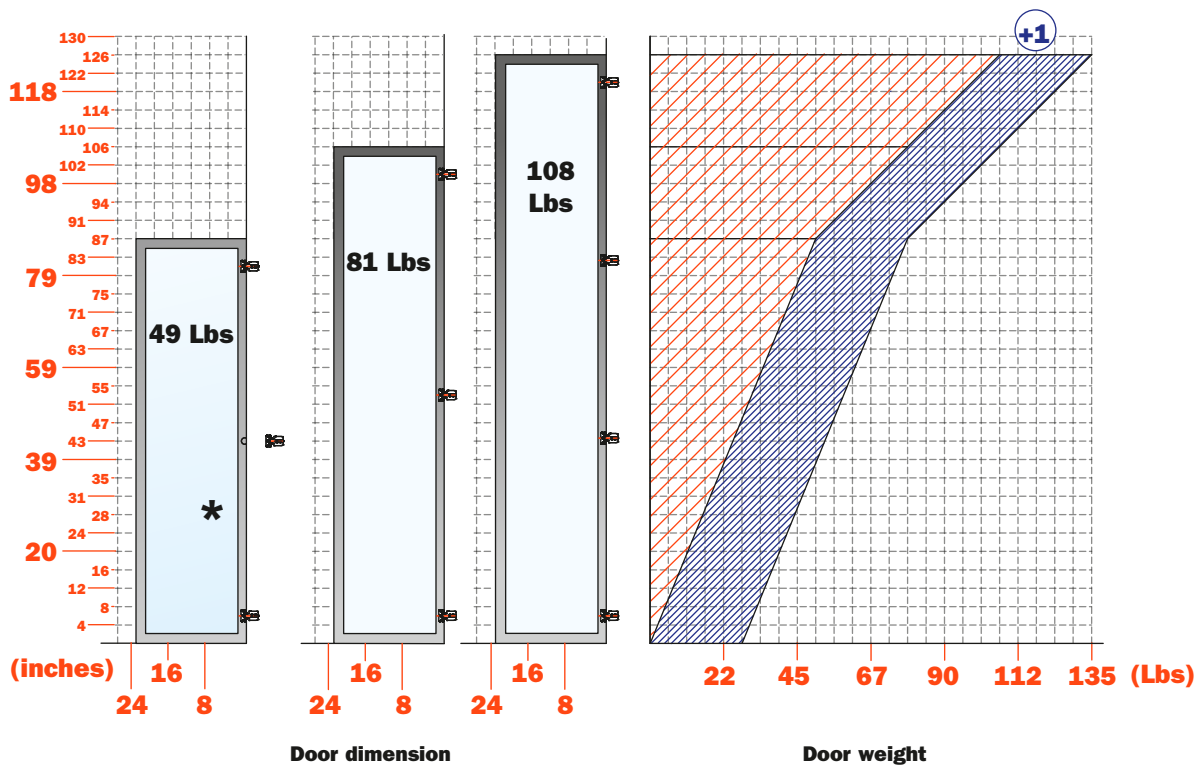
## Concealed CQZ3KE hinge with recessed insertion in the side panel.

Door overlay 16,5 mm (5/8") using holder-sleeve DQG3B

Side adjustment -2 +0,5 mm  
 Height adjustment -2,5 +2,5 mm  
 Depth adjustment 0 +3 mm

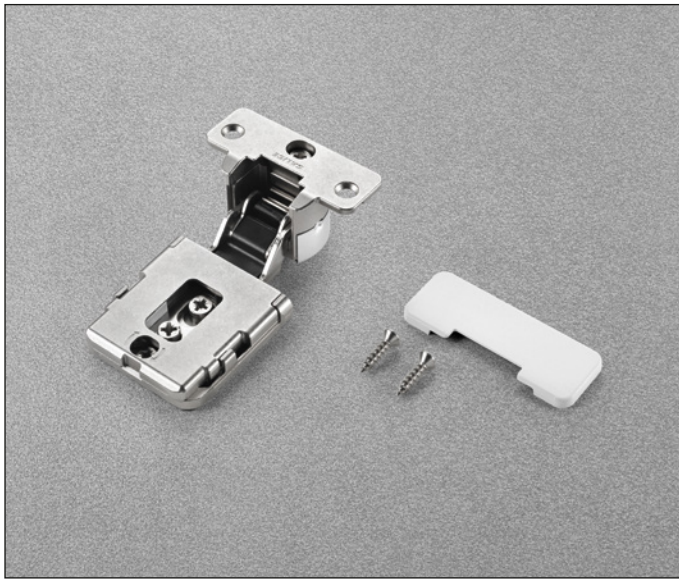


### Approx. number of hinges required according to the door dimension and weight



\* Adding one hinge in the center of the door increases its stability

**Conecta • Hinge for wood doors**

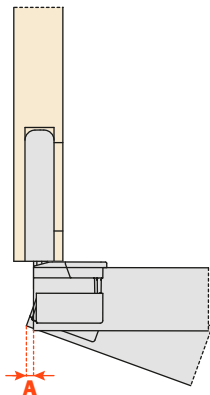


**Technical features**

**Concealed Conecta CQA3JE hinge with recessed insertion in the side panel.**

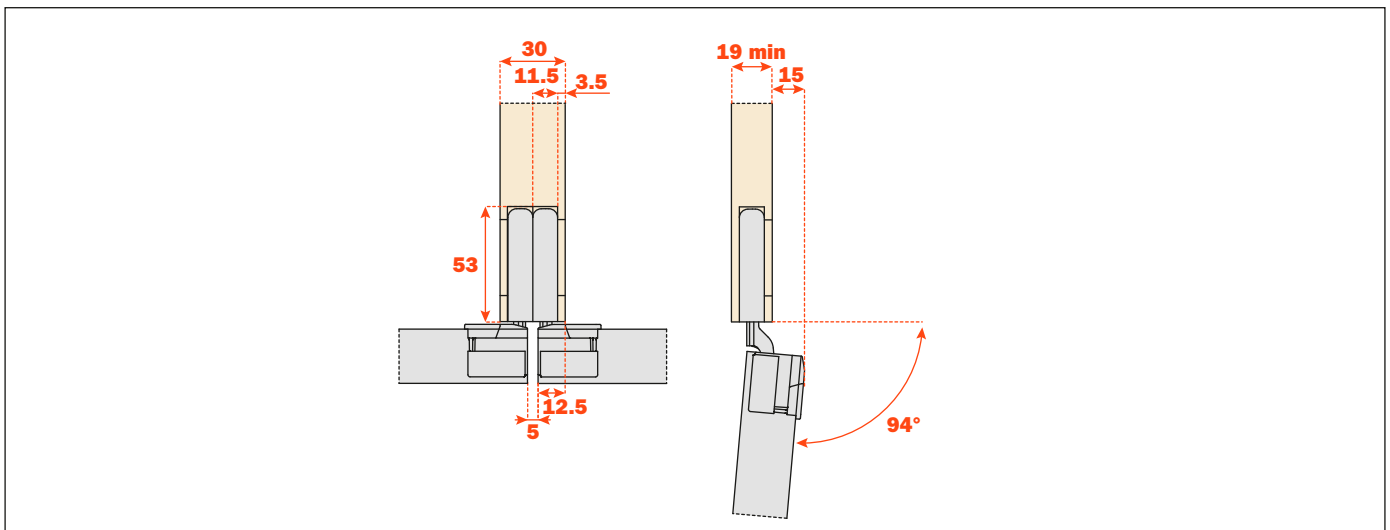
- Rapid fastening of the door to the cabinet side
- 22 mm deep metal cup
- Drilling distance fixed at 10 mm from the edge of the door to the centre of the hole
- Diameter 35 mm
- L = 3,5 mm
- 94° opening
- 6-way adjustable

**Space needed to open the door**

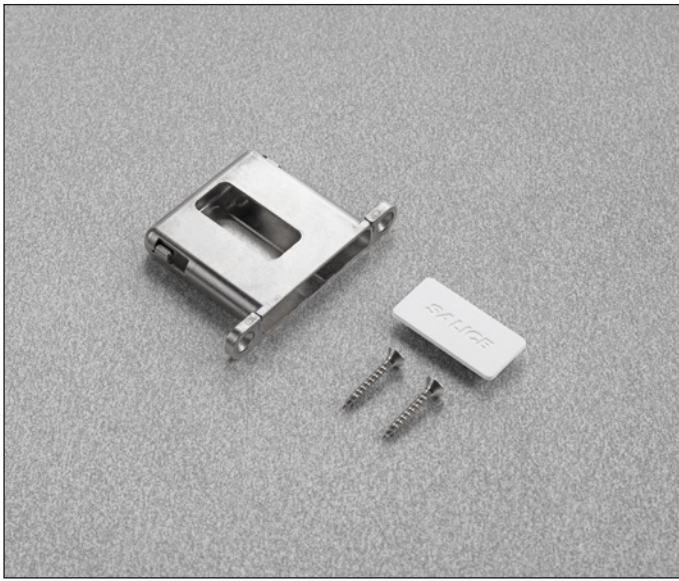


T=	25	26	27	28	29	30
A=	2.4	3.1	4.0	4.7	5.5	6.3

**Fixing into the side and protrusion of the door**



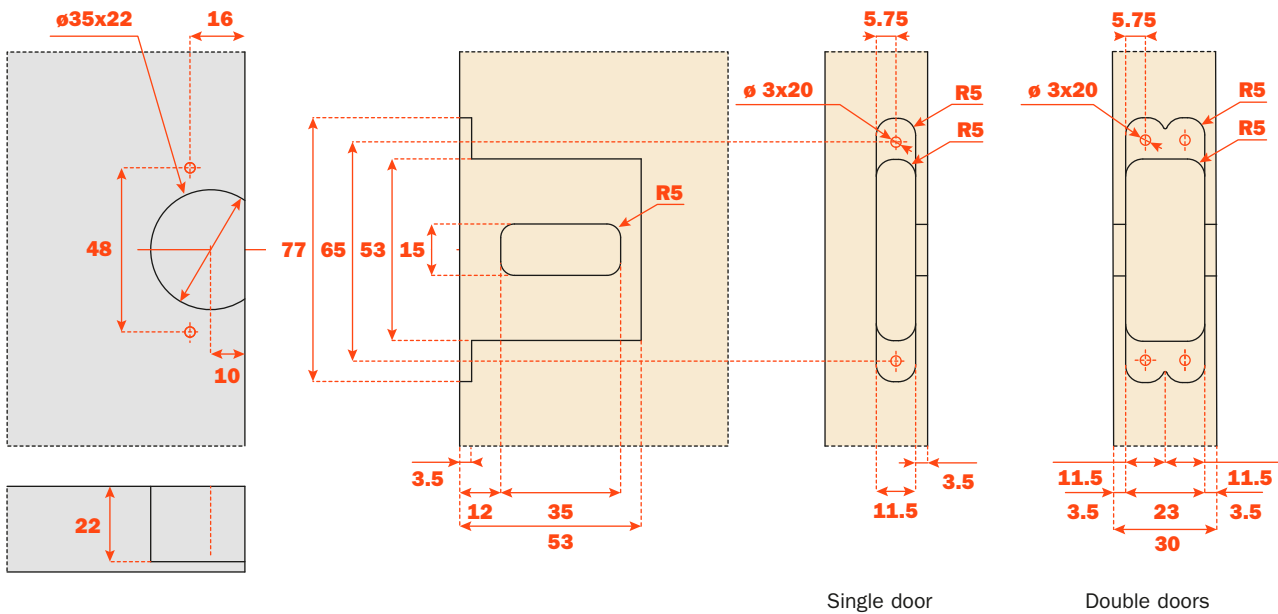
## Assembly on door and cabinet



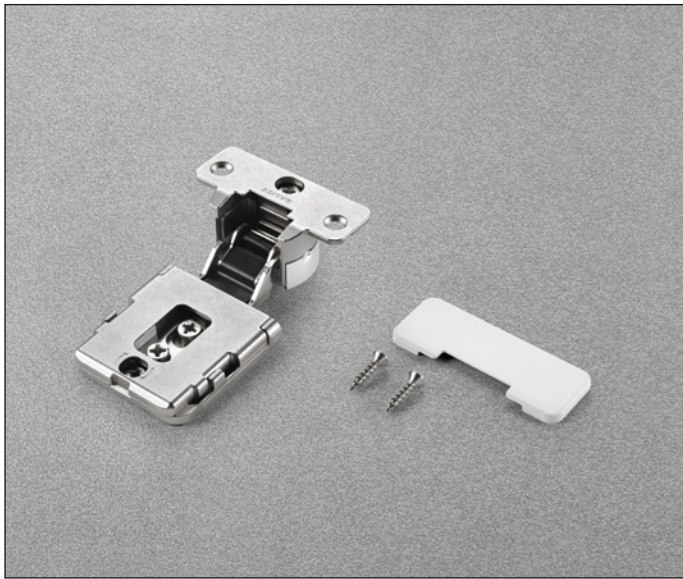
### Holder DQG3B

- For single door applications
- For double doors applications with 30 mm (1 - 5/16") side panel thickness

- Attaches to the side using  $\varnothing 4 \times 25$  mm screws
- Screws and cover caps included in packaging



**Conecta • Hinge for wood doors**

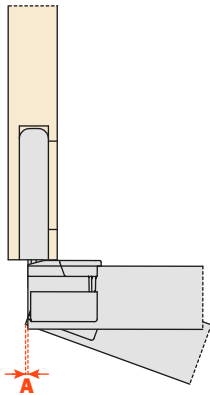


**Technical features**

**Concealed Conecta CQA3KE hinge with recessed insertion in the side panel.**

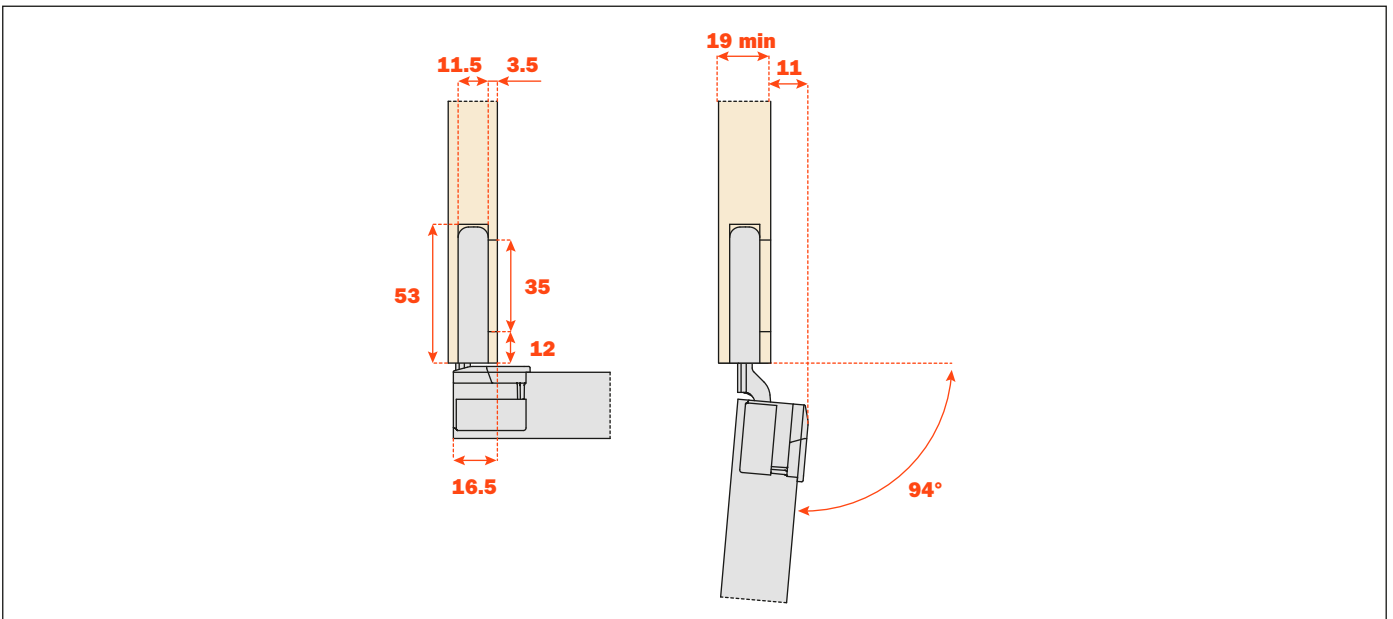
- Rapid fastening of the door to the cabinet side
- 22 mm deep metal cup
- Drilling distance fixed at 10 mm from the edge of the door to the centre of the hole
- Diameter 35 mm
- L = 3,5 mm
- 94° opening
- 6-way adjustable

**Space needed to open the door**



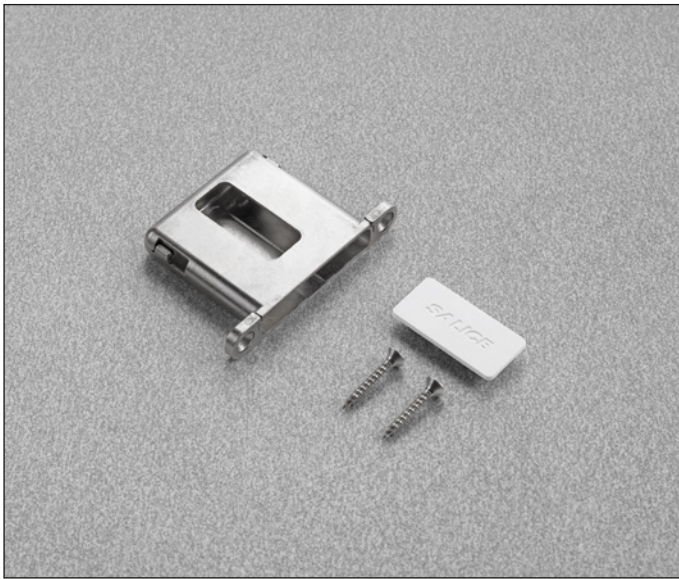
T=	25	26	27	28	29	30
A=	2.4	3.1	4.0	4.7	5.5	6.3

**Fixing into the side and protrusion of the door**





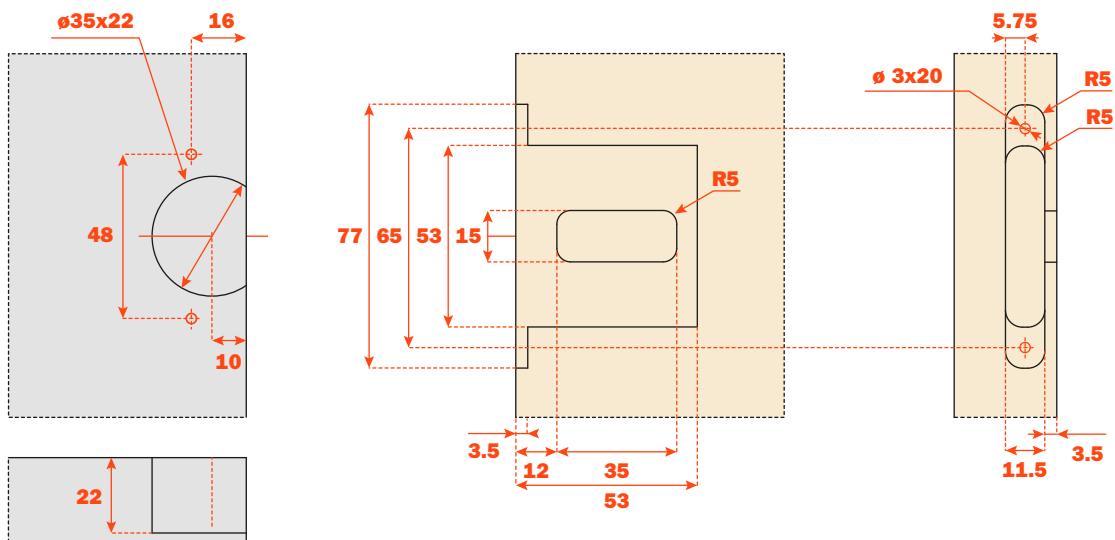
## Assembly on door and cabinet



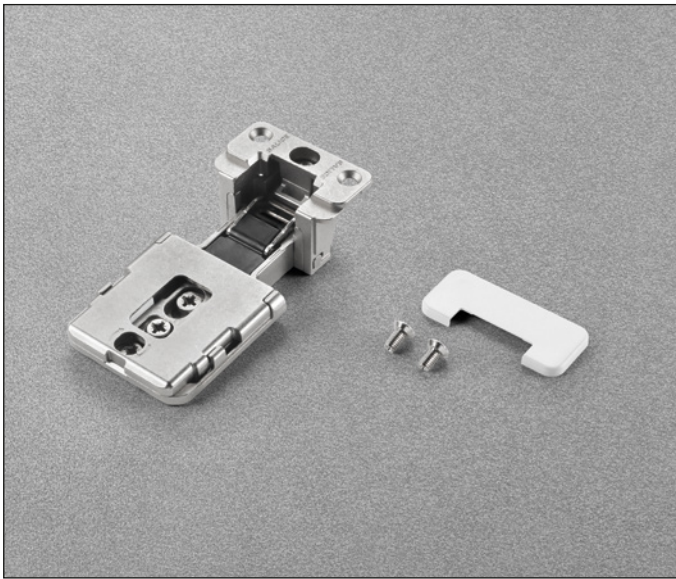
### Holder DQG3B

#### - For single door applications

- Attaches to the side using  $\varnothing 4 \times 25$  mm screws
- Screws and cover caps included in packaging



**Conecta • Hinge for aluminum-framed doors**

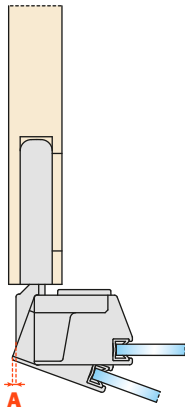


**Technical features**

**Concealed Conecta CQZ3JE hinge with recessed insertion in the side panel.**

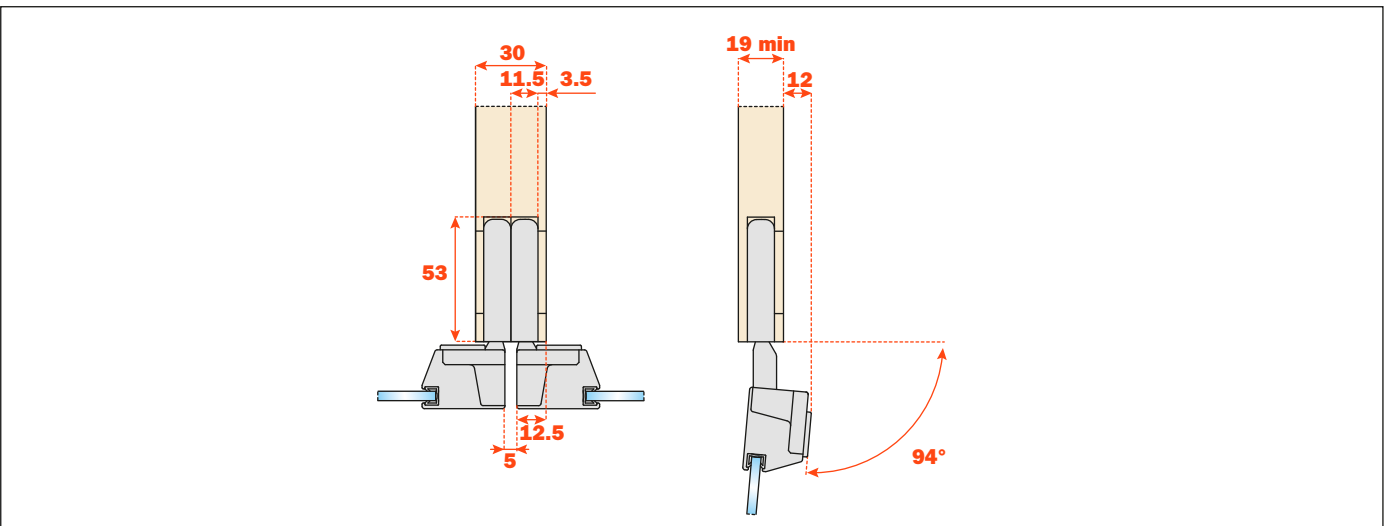
- Rapid fastening of the door to the cabinet side
- For aluminum-framed doors
- 24 mm deep metal cup
- L = 3,5 mm
- 94° opening
- 6-way adjustable

**Space needed to open the door**

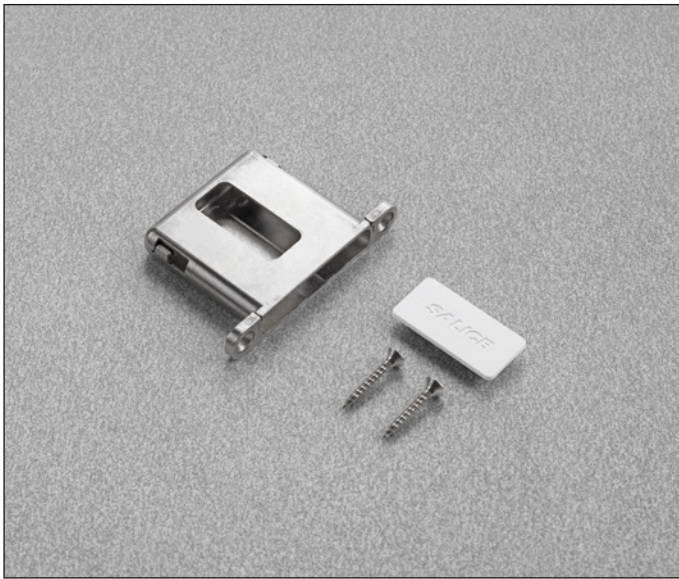


T=	25	26	27	28	29	30
A=	2.4	3.3	4.2	5.2	6.1	7.1

**Fixing into the side and protrusion of the door**

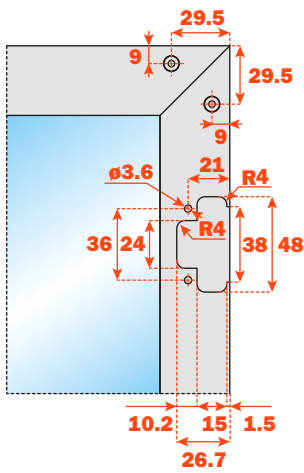


## Assembly on door and cabinet

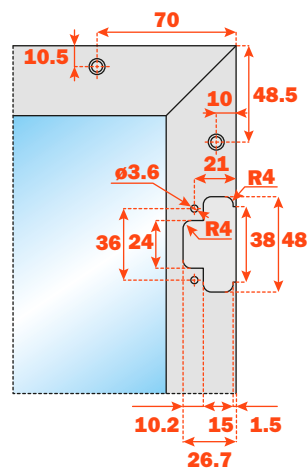


### Holder DQG3B

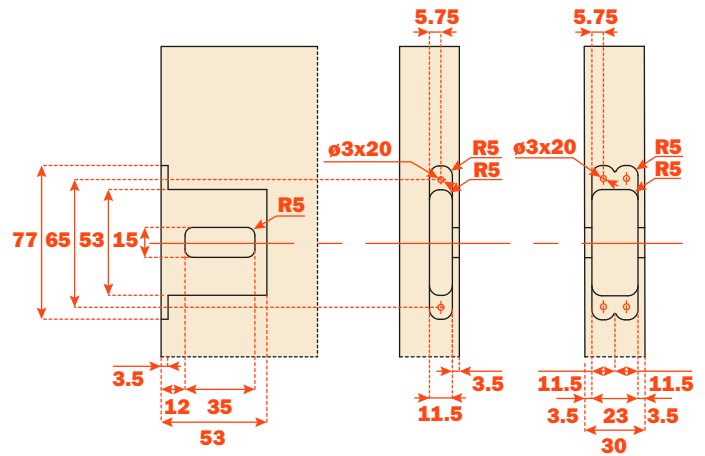
- For single door applications
- For double doors applications with 30 mm (1 - 5/16") side panel thickness
- Attaches to the side using  $\varnothing 4 \times 25$  mm screws
- Screws and cover caps included in packaging



Drilling with corner connector  
**DQZ3HS5V04**



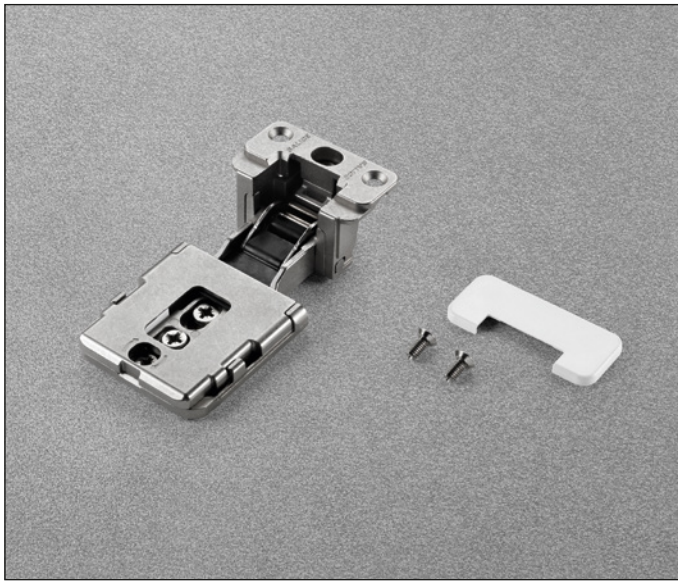
Drilling with corner connector  
**DEL6BSFV02**



Single door

Double doors

**Conecta • Hinge for aluminum-framed doors**

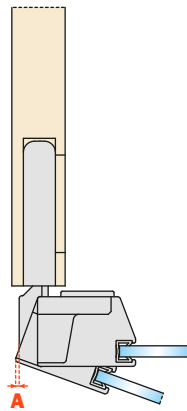


**Technical features**

**Concealed Conecta CQZ3KE hinge with recessed insertion in the side panel.**

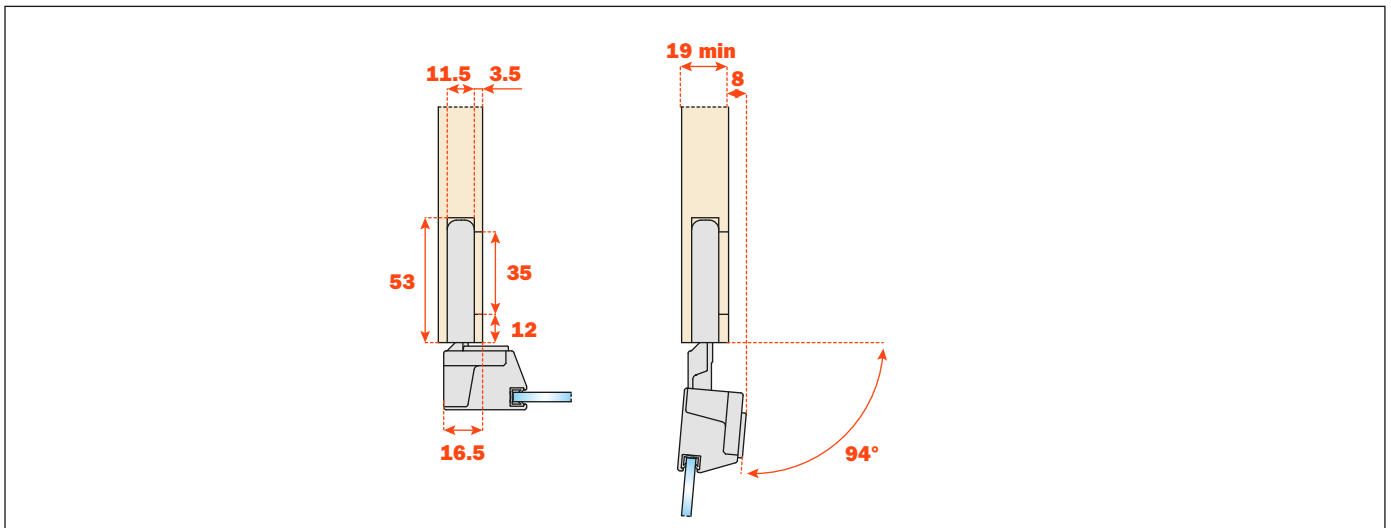
- Rapid fastening of the door to the cabinet side
- For aluminum-framed doors
- 24 mm deep metal cup
- L = 3,5 mm
- 94° opening
- 6-way adjustable

**Space needed to open the door**

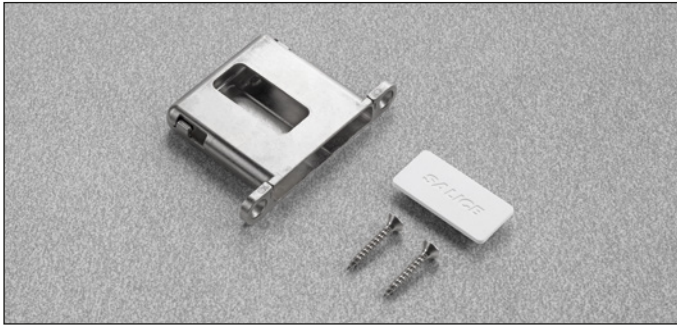


T=	25	26	27	28	29	30
A=	2.4	3.3	4.2	5.2	6.1	7.1

**Fixing into the side and protrusion of the door**



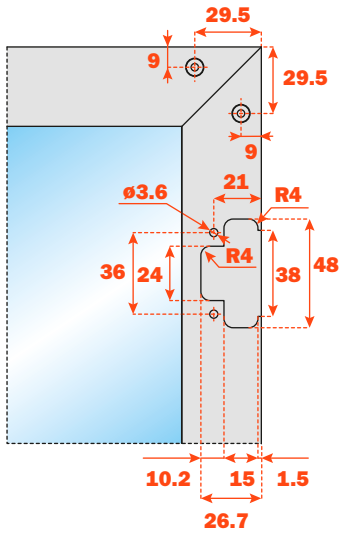
## Assembly on door and cabinet



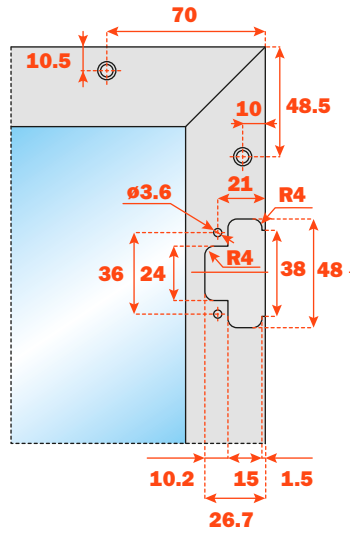
### Holder DQG3B

**- For single door applications**

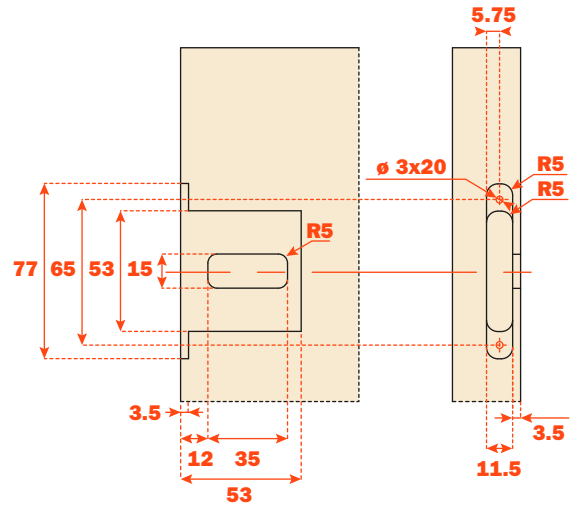
- Attaches to the side using  $\varnothing 4 \times 25$  mm screws
- Screws and cover caps included in packaging



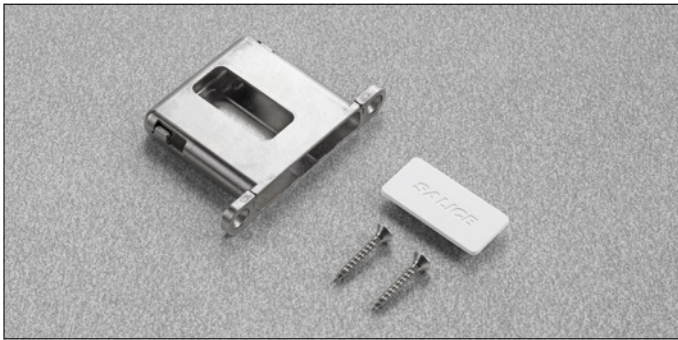
Drilling with corner connector  
**DQZ3HS5V04**



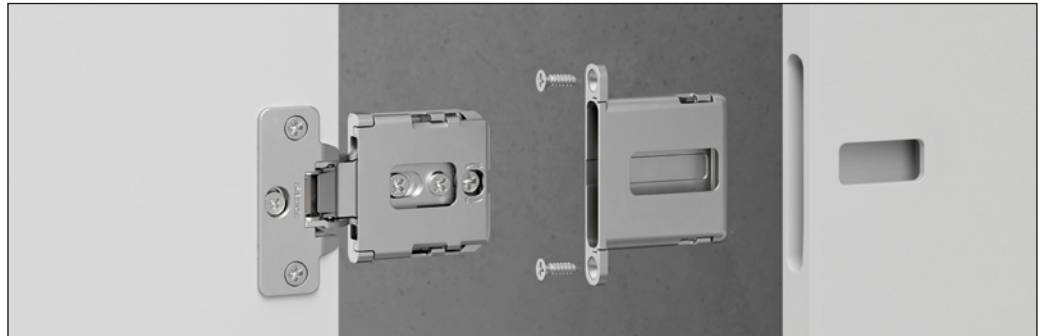
Drilling with corner connector  
**DEL6BSFV02**



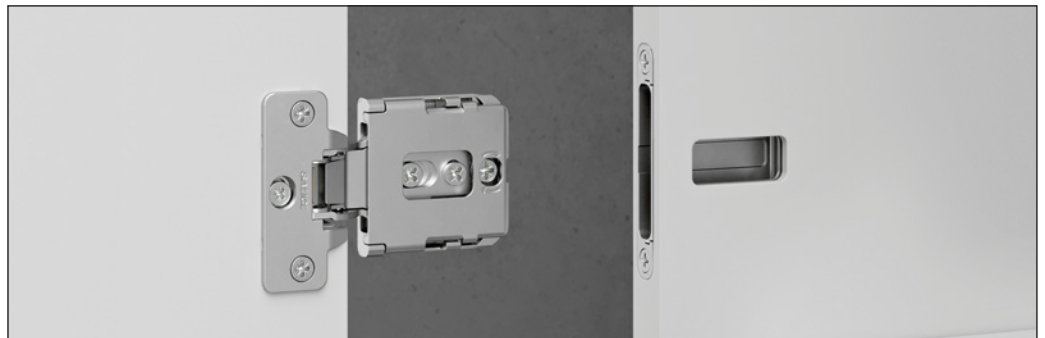


**Conecta • Assembly • Single door with holder DQG3B**

Fix the holder to the cabinet side using the woodscrews



Fully insert the hinge into the holder



Once inserted, lock the hinge into place through the back cam

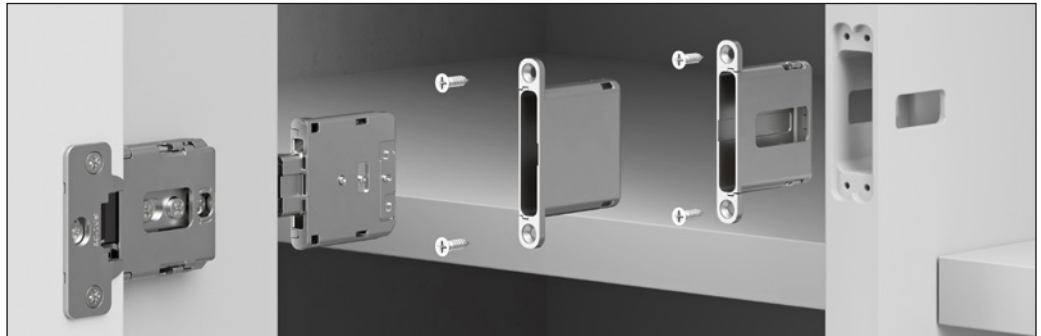


Apply the flange and the screw cover caps



## Double doors with holder DQG3B

Fix the holders to the cabinet side using the woodscrews



Fully insert the hinges into the holders



Once inserted, lock the hinges into place through the back cam

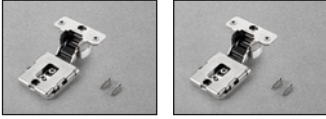


Apply the flange and the screw cover caps

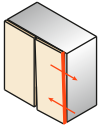
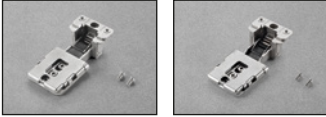


## Conecta • Adjustments

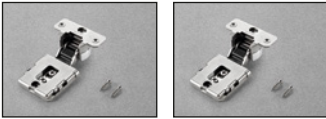
Side adjustment for hinge for  
wood doors:  
from -1 to +2



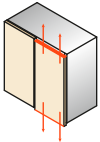
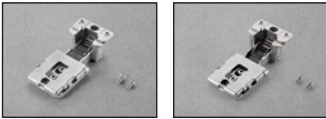
Side adjustment for hinge for  
aluminum-framed doors:  
from -2 to +0,5



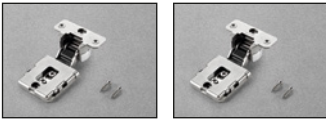
Height adjustment for hinge  
for wood doors:  
from -2,5 to +2,5



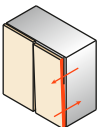
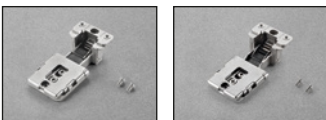
Height adjustment for hinge  
for aluminum-framed doors:  
from -2,5 to +2,5



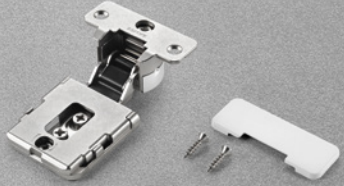
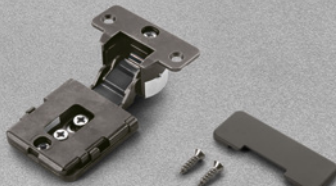
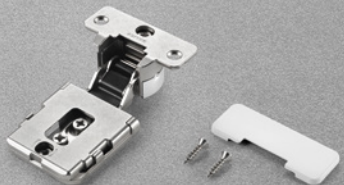
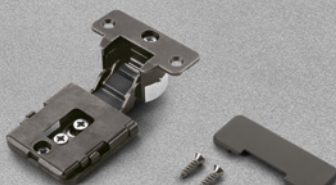
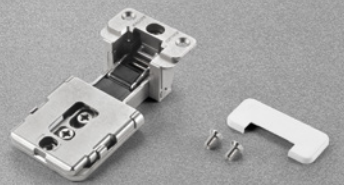
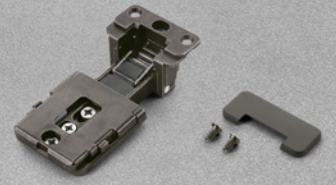
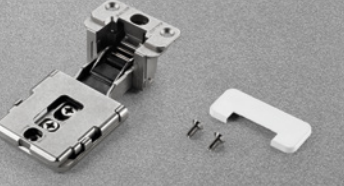
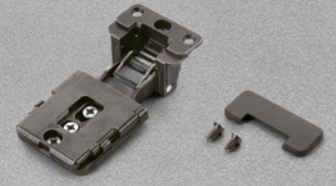
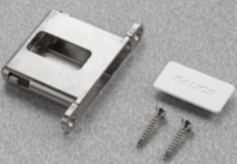
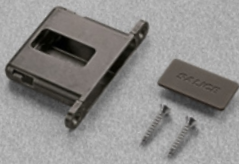
Depth adjustment for hinge  
for wood doors:  
from 0 to +3



Depth adjustment for hinge  
for aluminum-framed doors:  
from 0 to +3






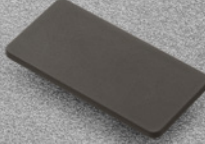






# Conecta • Packaging











Hinge - Nickel-plated finish	Hinge - Titanium finish	Packaging
For wood doors • Door overlay: 12,5 mm (DQG3B)		
<b>CQA3JE9XXV</b>	<b>CQA3JE6XXV</b>	
		
For wood doors • Door overlay: 16,5 mm (DQG3B)		
<b>CQA3KE9XXV</b>	<b>CQA3KE6XXV</b>	
		
For aluminum-framed doors • Door overlay: 12,5 mm (DQG3B)		
<b>CQZ3JE9XXV</b>	<b>CQZ3JE6XXV</b>	
		
For aluminum-framed doors • Door overlay: 16,5 mm (DQG3B)		
<b>CQZ3KE9XXV</b>	<b>CQZ3KE6XXV</b>	
		
<b>Hinge - Nickel-plated finish</b>	<b>Hinge - Titanium finish</b>	
<b>DQG3BX9XS</b>	<b>DQG3BX6XS</b>	
		
		<p>Bags 2 pcs. Boxes with 25 bags Pallets 24 boxes</p> <p>Fixing screws and flange cover cap included</p>
		<p>Bags 2 pcs. Boxes with 25 bags Pallets 24 boxes</p> <p>Fixing screws and screw cover cap included</p>




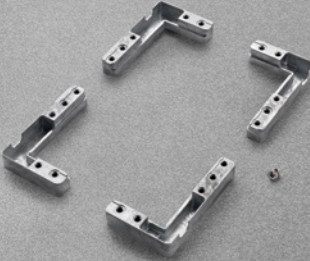

**Conecta • Screw cover caps and flange cover caps**

<p><b>Screw cover caps with Salice printed logo</b> Symmetrical plastic screw cover caps with Salice printed logo.</p>	<p><b>Screw cover caps</b> Symmetrical plastic screw cover caps. They can be personalized on request with silk-screen printed logo.</p>	<p><b>Packaging</b></p>
<p><b>PQFXAA1SN</b> White</p> 	<p><b>PQFXAA1</b> White</p> 	<p>Boxes 100 pcs. • Large Boxes 600 pcs.</p>
<p><b>PQFXAA3SN</b> Black</p> 	<p><b>PQFXAA3</b> Black</p> 	<p>Boxes 100 pcs. • Large Boxes 600 pcs.</p>
<p><b>PQFXAA6SN</b> Titanium</p> 	<p><b>PQFXAA6</b> Titanium</p> 	<p>Boxes 100 pcs. • Large Boxes 600 pcs.</p>
<p><b>PQFXAA9SN</b> Satin Chrome</p> 	<p><b>PQFXAA9</b> Satin Chrome</p> 	<p>Boxes 100 pcs. • Large Boxes 600 pcs.</p>
<p><b>PQFXAAWSN</b> Satin Gold</p> 	<p><b>PQFXAAW</b> Satin Gold</p> 	<p>Boxes 100 pcs. • Large Boxes 600 pcs.</p>

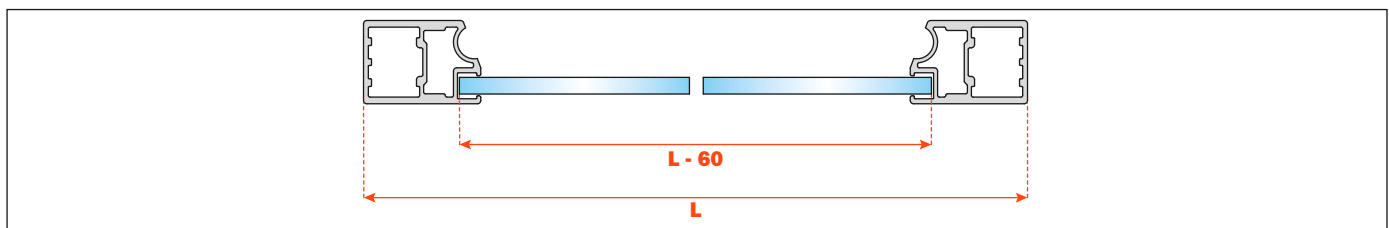
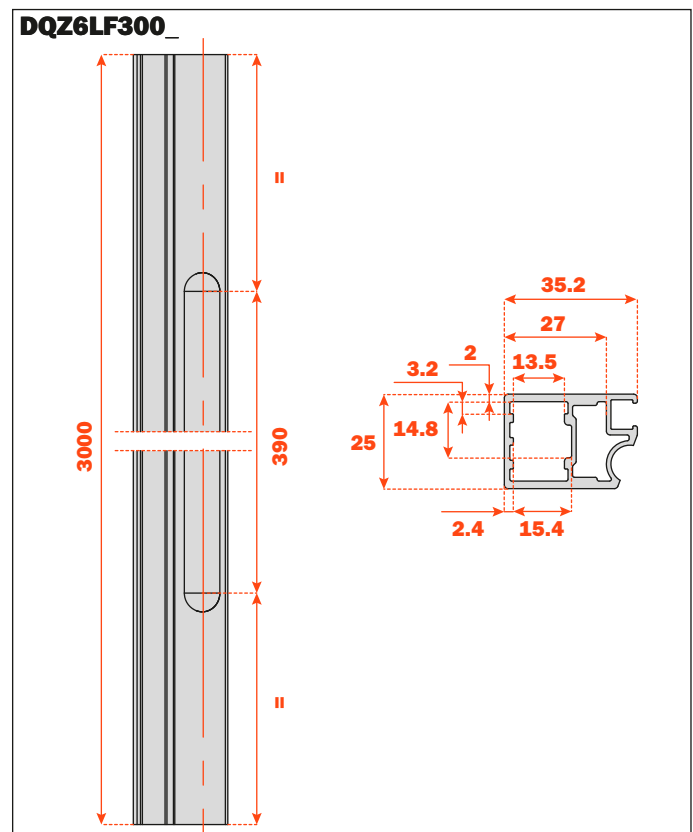
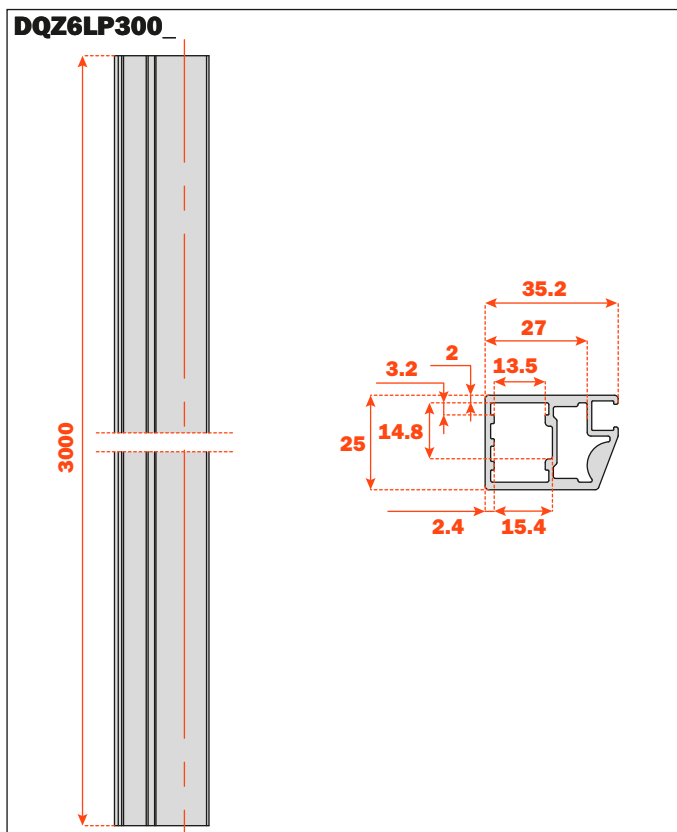


Flange cover caps - Hinge for wood doors	Flange cover caps Hinge for aluminum-framed doors	Packaging
<b>PQSAAA1</b>	<b>PQSZAA1</b>	Boxes 100 pcs. · Large Boxes 600 pcs.
White	White	
		Boxes 100 pcs. · Large Boxes 600 pcs.
<b>PQSAAA3</b>	<b>PQSZAA3</b>	
Black	Black	Boxes 100 pcs. · Large Boxes 600 pcs.
		
<b>PQSAAA6</b>	<b>PQSZAA6</b>	Boxes 100 pcs. · Large Boxes 600 pcs.
Titanium	Titanium	
		Boxes 100 pcs. · Large Boxes 600 pcs.
<b>PQSAAA9</b>	<b>PQSZAA9</b>	
Satin Chrome	Satin Chrome	
		
<b>PQSAAAW</b>	<b>PQSZAAW</b>	
Satin Gold	Satin Gold	
		

**Conecta • Accessories**

<p>Steel corner connectors for the aluminum door profile assembly</p>	<p><b>Part number</b></p>	<p><b>Packaging</b></p>	
	<p><b>DQZ3HS5V04</b></p>	<p>Boxes with 25 bags                      1 bag contains:                      4 corner connectors and assembly screws                      (nickel-plated and titanium finish)</p>	
<p>Die-cast corner connectors for the aluminum door profile assembly</p>	<p><b>Part number</b></p>	<p><b>Packaging</b></p>	
	<p><b>DEL6BSFV02</b></p>	<p>Boxes with 25 bags                      1 bag contains:                      4 corner connectors and assembly screws                      (nickel-plated and titanium finish)</p>	
<p>Gasket for glass</p>	<p><b>Part number</b></p>	<p><b>Packaging</b></p>	<p><b>Length</b></p>
	<p><b>DQZ6AG3000T</b></p>	<p>100 units</p>	<p>3 metres</p>

Aluminum door profile for glass insertion (4 mm)	Part number	Packaging	Length
	<b>DQZ6LP300P</b>	10 anodized aluminum profiles	3 metres
	<b>DQZ6LP300T</b>	10 Titanium finish profiles	
	<b>DQZ6LF300P</b>	10 anodized aluminum profiles with handle	
	<b>DQZ6LF300T</b>	10 Titanium finish profiles with handle	







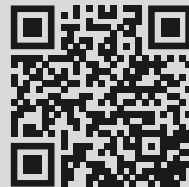


**SALICE AMERICA INC.**

2123 CROWN CENTRE DRIVE  
CHARLOTTE NC. 28227  
TEL. 704 841 7810  
FAX. 704 841 7808  
info.salice@saliceamerica.com  
www.saliceamerica.com

**SALICE CANADA INC.**

3500 RIDGEWAY DRIVE, UNIT#1  
MISSISSAUGA, ONTARIO, L5L 0B4  
TEL. 905 820 8787  
FAX. 905 820 7226  
info.salice@salicecanada.com  
www.salicecanada.com



**Digital contents**