



Slider M35 Top

SALICE

Slider M35 Top



Slider M35 Top is a coplanar sliding system for medium sized cabinets, with doors width up to 1500 mm and a max. weight of 35 kg per door.

The M35 Top mechanism incorporates a sophisticated magnetic damping system that decelerates the opening and closing action and sets a new standard of silent and smooth sliding movement by eliminating the typical noise produced by spring- action dampers.

In its standard version, the M35 Top can be used to open two identical coplanar doors, or a single sliding door paired with a hinged door or an open compartment.

In addition to the standard version that opens two coplanar doors in the traditional way, the system is available in number of options that significantly increase the number of possible applications:

- Slider M35 Top Reverso that enables the doors to be opened in the opposite direction;
- Slider M35 Top Step that, with a single system, enables the doors to be opened when they are separated by a central compartment;
- Slider M35 Top One, a system for the opening of a single door;
- Slider M35 Top Power, a motorised system for opening the door.



Slider M35 Top



Technical information

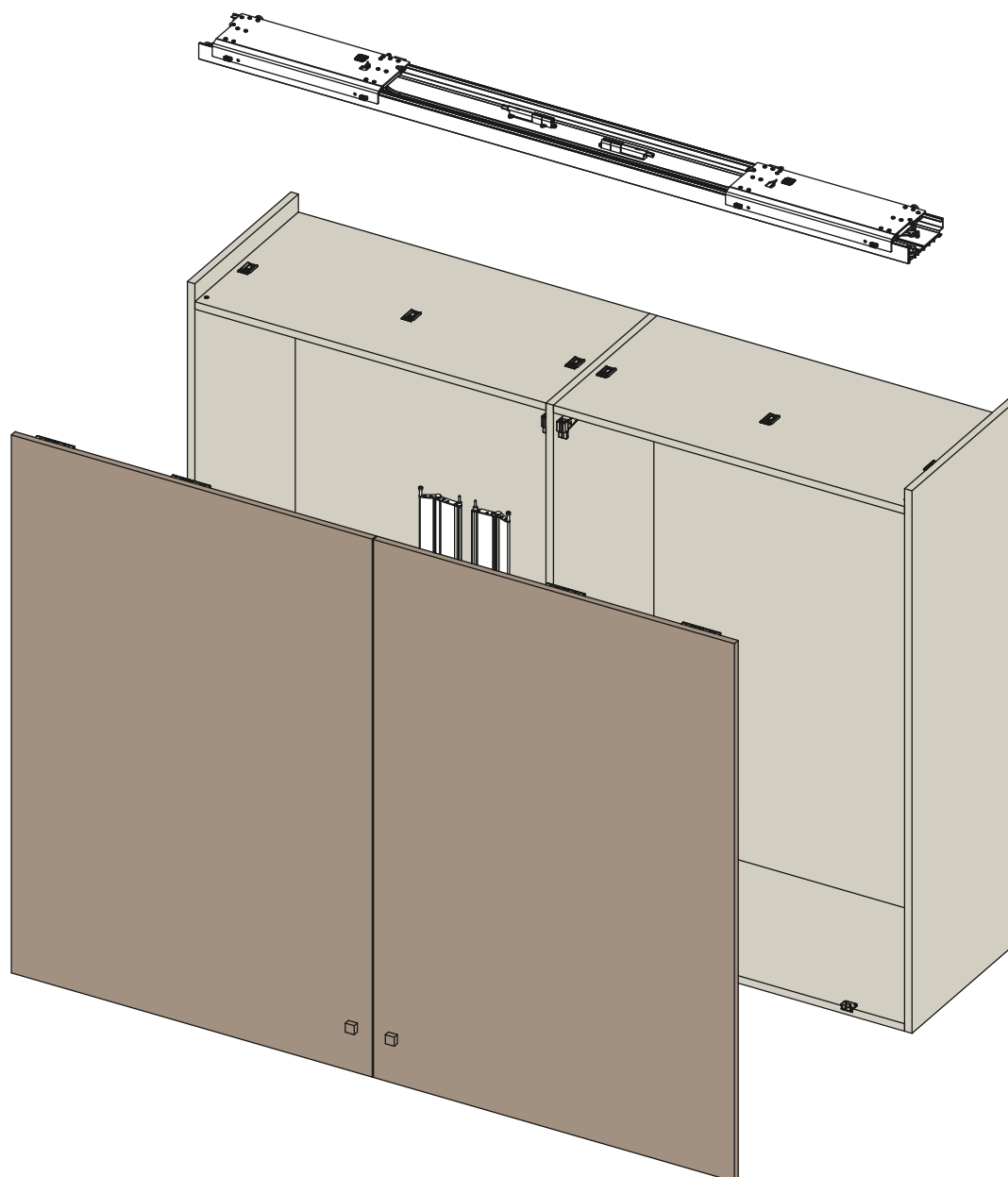
Coplanar sliding system for cabinets.

Door dimensions:

- max. weight per door 35 Kg
- width min. 600 mm max. 1500 mm
- height min. 1200 mm max. 1800 mm
- thickness: - min. 18 mm max. 30 mm
- with handle max. 40 mm
- material: wood

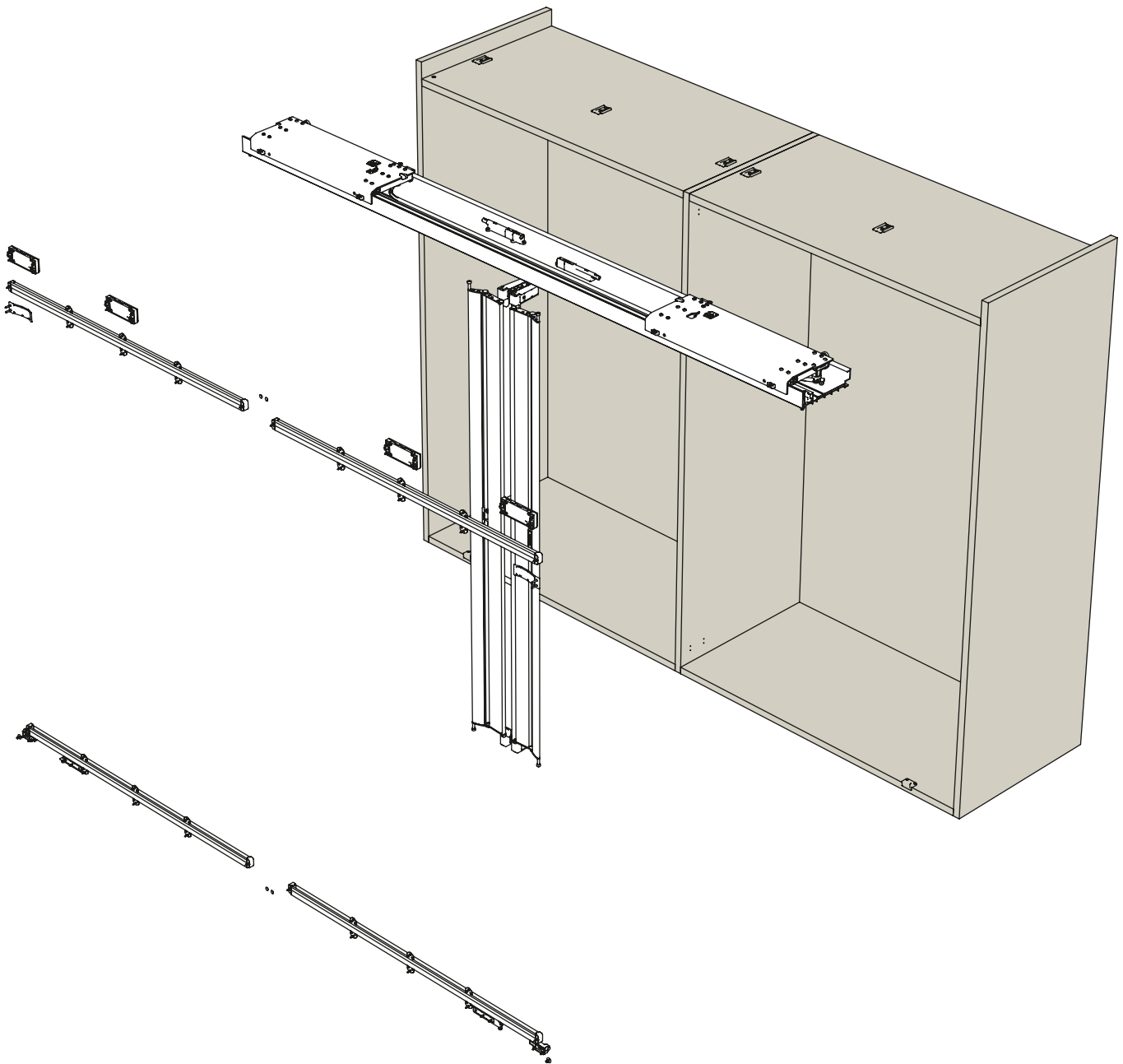
Adjustment:

- vertical adjustment ± 5 mm
- horizontal adjustment ± 3.5 mm
- front adjustment: - upper ± 3 mm
- lower ± 2 mm



Key feature

- Soft closing with magnetic technology.
- Very easy to assemble.
- Super-smooth cushioned opening and closing
- High reliability, tested to 100,000 cycles.



Slider M35 Top • Reverso



Technical information

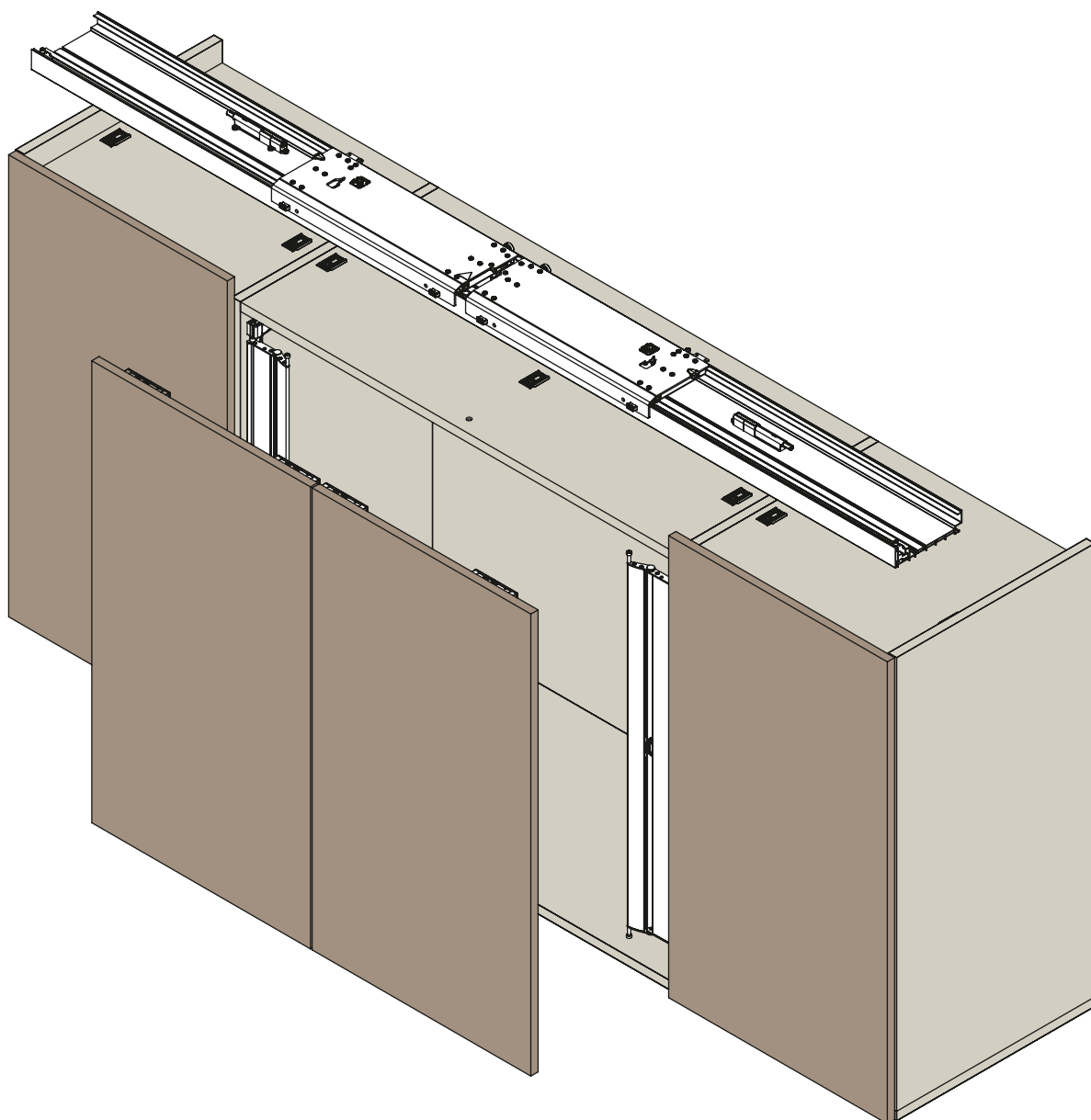
Coplanar sliding system for cabinets.

Door dimensions:

- max. weight per door 35 Kg
- width min. 584 mm max. 1055 mm
- height min. 1200 mm max. 2200 mm
- thickness: - min. 18 mm max. 30 mm
- with handle max. 40 mm
- material: wood

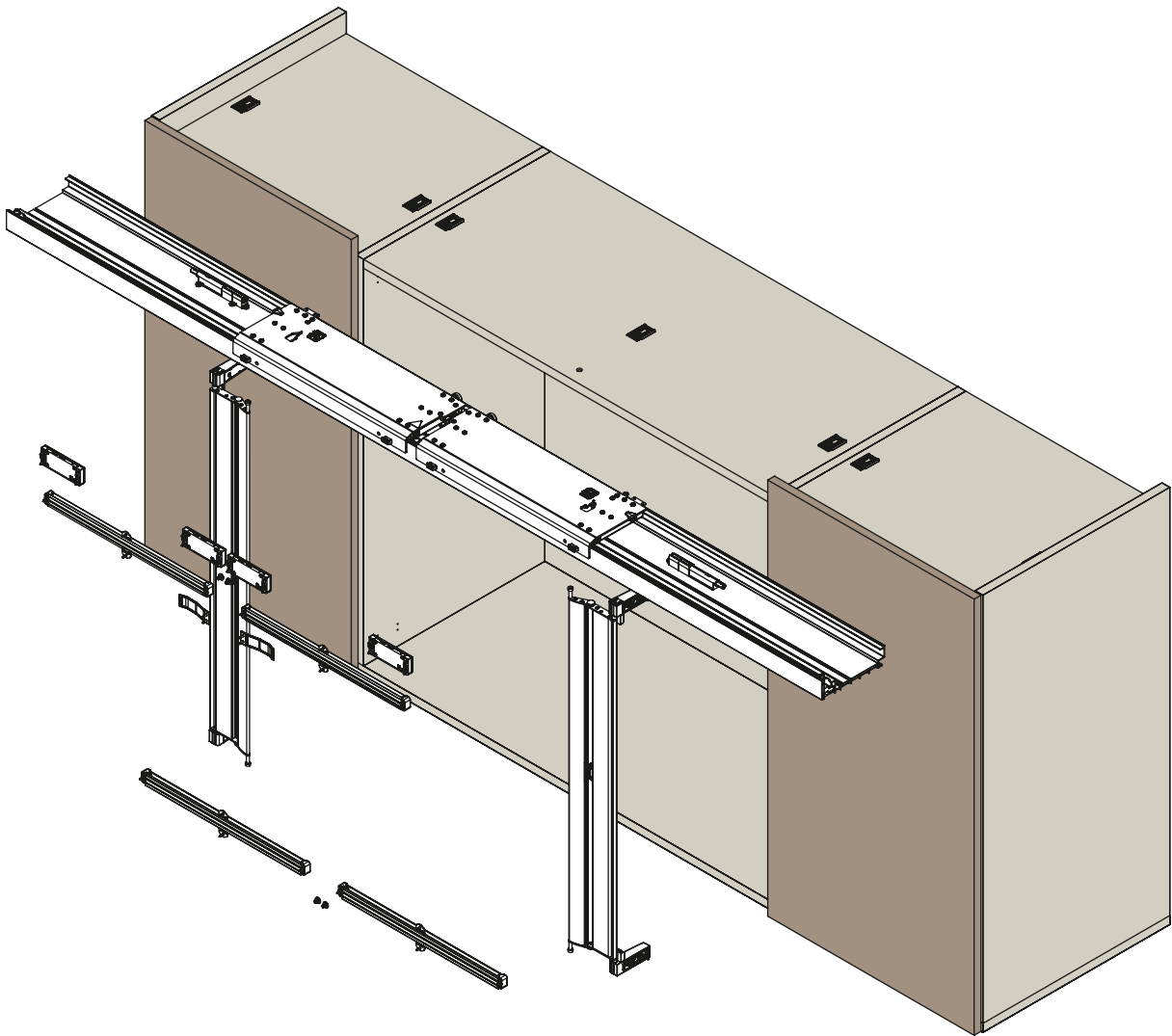
Adjustment:

- vertical adjustment ± 5 mm
- horizontal adjustment ± 3.5 mm
- front adjustment: - upper ± 3 mm
- lower ± 2 mm



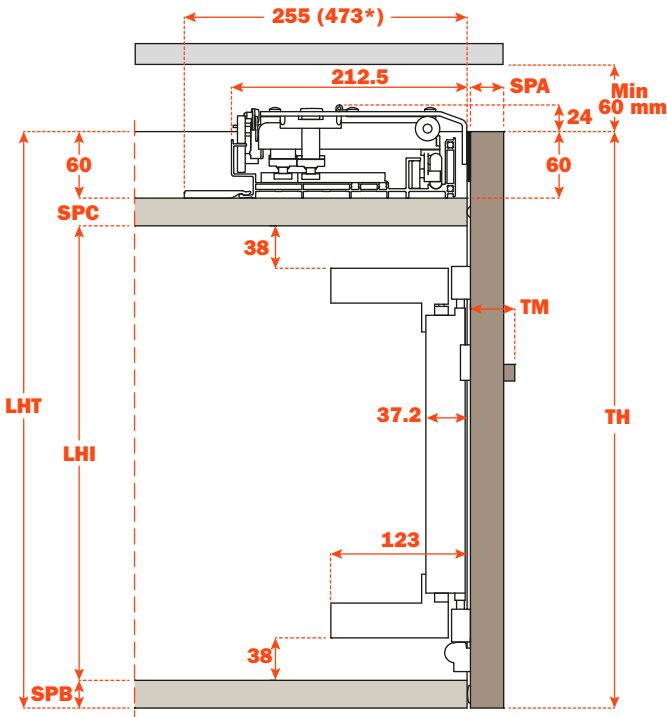
Key feature

- Soft closing with magnetic technology.
- Very easy to assemble.
- Super-smooth cushioned opening and closing
- High reliability, tested to 100,000 cycles.

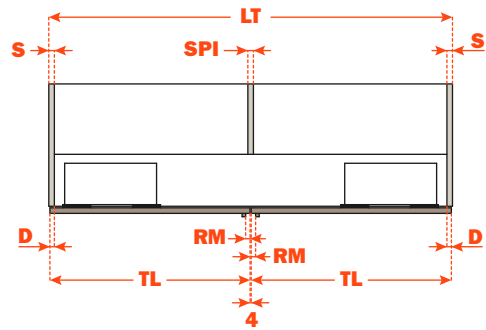
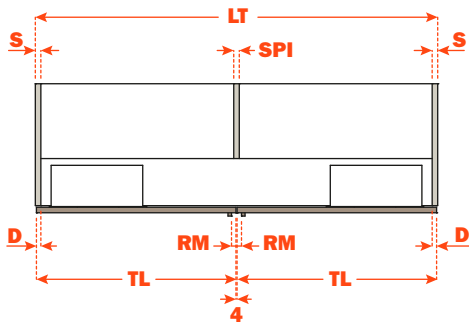
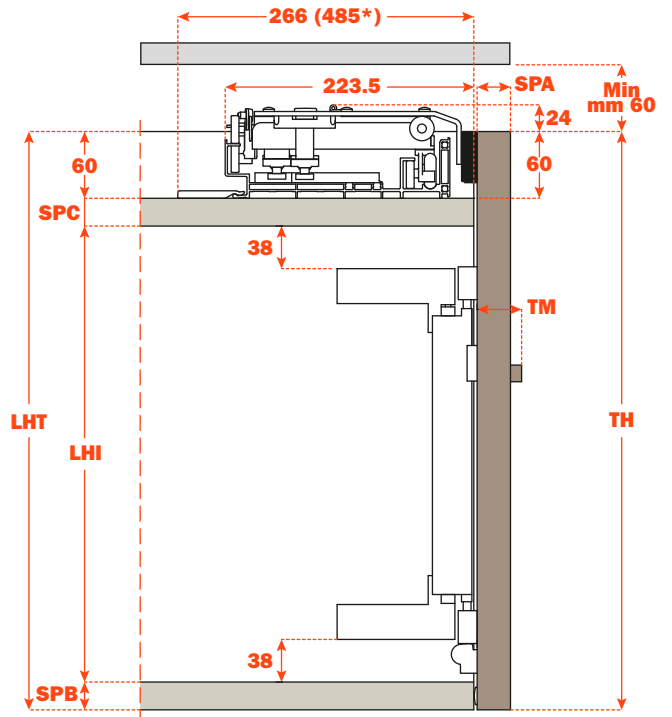


Slider M35 Top - Assembly options

Recessed adjusters



Surface-mounted adjusters

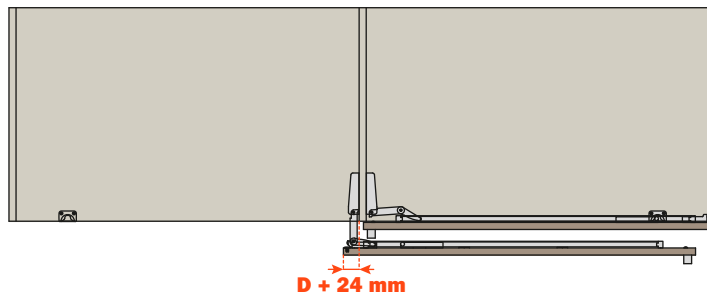
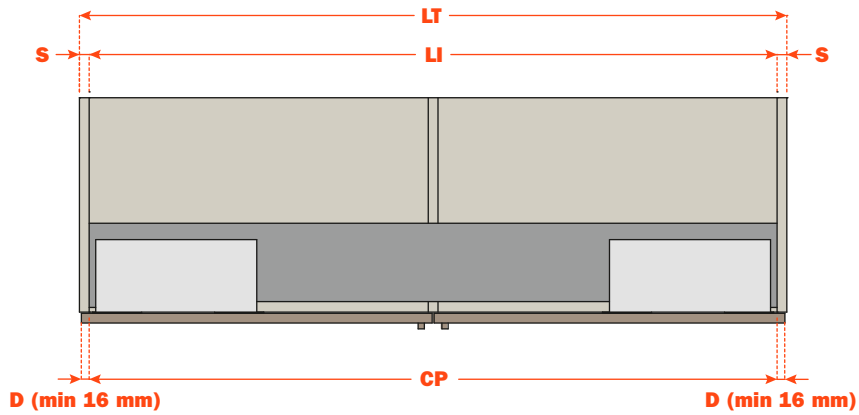


*Min. depth for motorised mechanisms

Relation between height and width

		DOOR DIMENSION									
DOOR HEIGHT	2200 mm										
	1800 mm										
	1600 mm										
	1400 mm										
	1200 mm										
		600	700	800	900	1000	1200	1300	1400	1500	
		WIDTH									
		Mechanism standard, One and Reverso			ONLY mechanism One and Reverso						

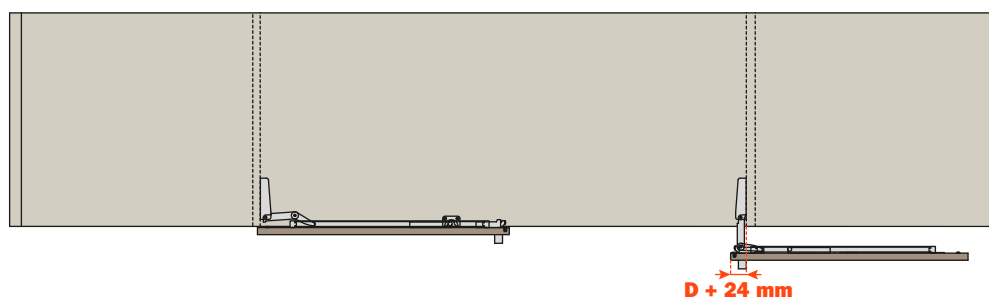
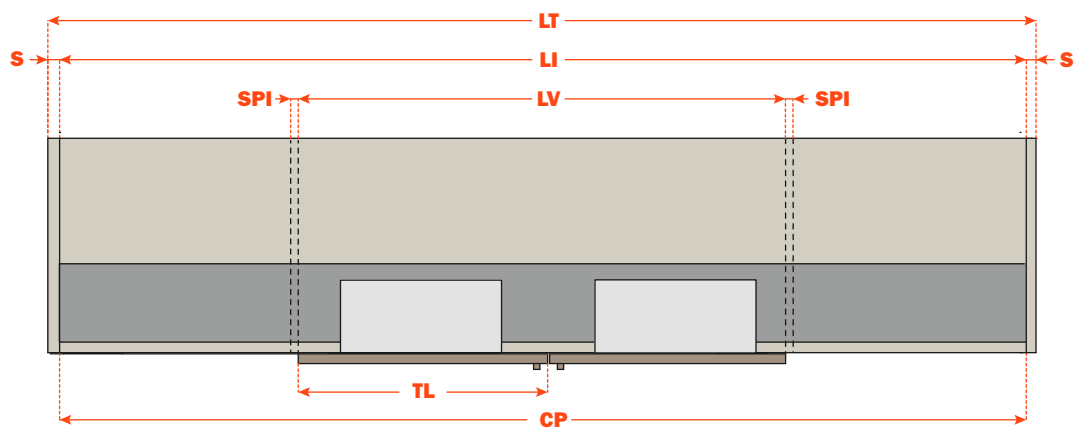
How to order



Description		Part number	LI (mm)	CP (mm)	SPI/S min÷max (mm)	D min÷max (mm)
Slider M35 Top 2 doors	SM 1200	VE51FT01200NN	1162	1161	18÷40	16÷38
	SM 1400	VE51FT01400NN	1362	1361		
	SM 1600	VE51FT01600NN	1562	1561		
	SM 1800	VE51FT01800NN	1762	1761		
	SM 2000	VE51FT02000NN	1962	1961		
	SM 2200	VE51FT02200NN	2162	2161		
	SM 2400	VE51FT02400NN	2362	2361		
	SM 2600	VE51FT02600NN	2562	2561		
	SM 2800	VE51FT02800NN	2762	2761		
	SM 3000	VE51FT03000NN	2962	2961		

Customised systems

Slider M35 Top can be supplied in customised lengths i.e. designed for installation on cabinets with internal width (**LI**) equal to the length of the slider rail (**CP**).

Slider M35 Top • Reverso • How to order


Description		Part number	LI (mm)	CP (mm)	LV (mm)	TL min (mm)	TL max (mm)
Slider M35 Top 2 doors	SM 2400	VE51FTR02400NN	2362	2361	1172	584	655
	SM 2800	VE51FTR02800NN	2762	2761	1372	684	755
	SM 3200	VE51FTR03200NN	3162	3161	1572	784	855
	SM 3600	VE51FTR03600NN	3562	3561	1772	884	955
	SM 4000	VE51FTR04000NN	3962	3961	1972	984	1055

ARTURO SALICE S.p.A.

VIA PROVINCIALE NOVEDRATESE, 10
22060 NOVEDRATE (COMO) ITALIA
TEL. 031 790424 - FAX 031 791508
info.salice@salice.com - www.salice.com

DEUTSCHE SALICE GMBH

RUDOLF DIESEL STR. 10
74382 NECKARWESTHEIM
TEL. 07133 9807-0
FAX. 07133 9807-16
info.salice@deutschesalice.de
www.salice.com

DEUTSCHE SALICE GMBH

VERKAUFSBÜRO NORD
RINGSTRASSE 36/A30 CENTER
32584 LÖHNE
TEL. 05731 15608-0
FAX. 05731 15608-10
vknord@deutschesalice.de
www.salice.com

SALICE UK LTD.

KINGFISHER WAY
HINCHINGBROOKE BUSINESS PARK
HUNTINGDON CAMBS PE 29 6FN
TEL. 01480 413831
FAX. 01480 451489
info.salice@saliceuk.co.uk
www.salice.com

BORTOLUZZI SISTEMI S.p.A.

VIA CADUTI 14 SETTEMBRE 1944, 45
32100 BELLUNO ITALIA
TEL. 0437 930866 - FAX 0437 931442
info@bortoluzzi.com - www.bortoluzzi.com

SALICE FRANCE S.A.R.L.

285 RUE DE GOA ZAC LES 3 MOULINS
06600 ANTIBES
TEL. 0493 330069
FAX. 0493 330141
info.salice@salicefrance.com
www.salice.com

SALICE ESPAÑA, S.L.U.

C/ AIGUAFREDA 4, P.I. AMETLLA PARK
08480 L'AMETLLA DEL VALLÈS (BARCELONA)
TEL. 0034 938 46 88 61
info.salice@saliceespana.es
www.salice.com

SALICE PORTUGAL UNIP. LDA

SHOWROOM:

TV SÁ E MELO 161 FA
4470-116 MAIA - PORTO
TEL: 00351 224 154 221
Info@saliceportugal.pt
www.salice.com

ARMAZÉM:

VIA ROTA DOS MÓVEIS I 399
4585-325 GANDRA

SALICE CHINA (SHANGHAI) CO. LTD.

1st FLOOR, B1 BLDG 928 MINGZHU ROAD
XUJING, QINGPU DISTRICT
SHANGHAI 201702 - CHINA
TEL. 021 3988 9880
FAX. 021 3988 9882
info.salice@salicechina.com
www.salicechina.com

SALICE INDIA PVT. LTD.

1001 & 1002, 10TH FLOOR,
CENTRUM, PLOT NO. C-3,
OPP. WAGLE PRABHAG SAMITI OFFICE,
MIDC AREA, WAGLE INDUSTRIAL ESTATE,
THANE - 400604, MAHARASHTRA
TEL. 022 20812050
info@saliceindia.com
www.salice.com

SALICE CANADA INC.

3500 RIDGEWAY DRIVE,
UNIT#1
MISSISSAUGA, ONTARIO, L5L 0B4
TEL. 905 820 8787
FAX. 905 820 7226
info.salice@salicecanada.com
www.salicecanada.com

SALICE AMERICA INC.

2123 CROWN CENTRE DRIVE
CHARLOTTE NC. 28227
TEL. 704 841 7810
FAX. 704 841 7808
info.salice@saliceamerica.com
www.saliceamerica.com



Digital contents

We reserve the right to change technical specifications.



DOCASS009ENG Ed. 05 - 03/2024